

**QUALITY LIGHTNING**  
PROTECTION  
**Take Charge.**

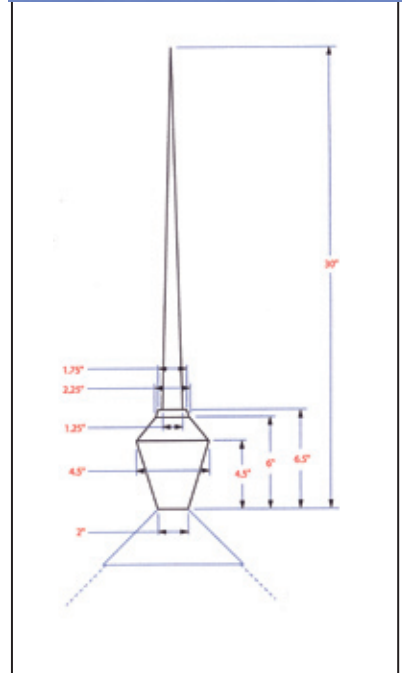
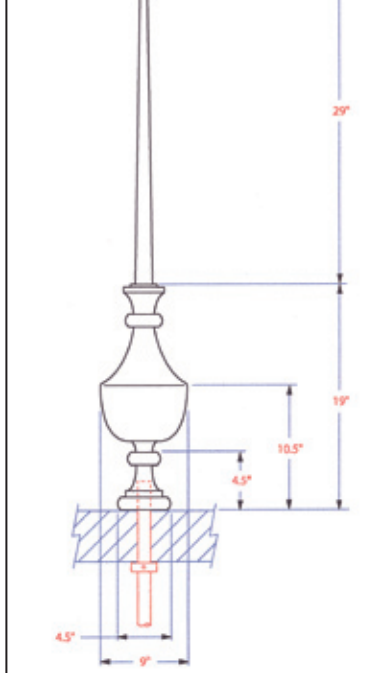
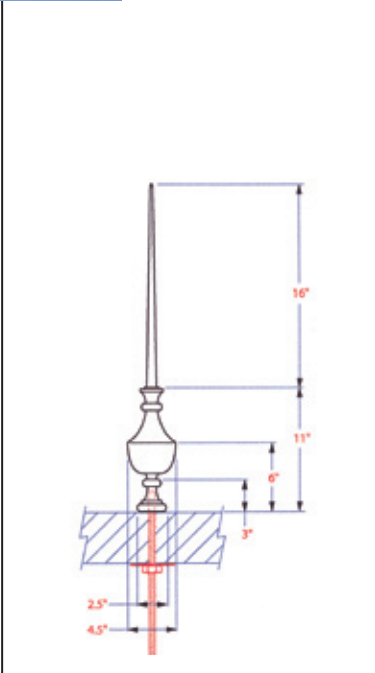
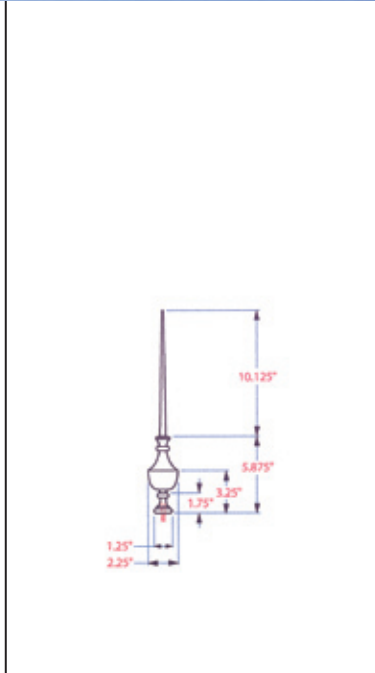


743 Pershing Road • Raleigh, NC 27608  
t.919.832.9399 • f 919.829.8022 • [www.qualitylightning.com](http://www.qualitylightning.com)  
*Materials by Capital Lightning*

**QUALITY LIGHTNING**  
PROTECTION  
**Take Charge.**

**Timeless Beauty.**

Quality Lightning Protection's architectural finials are an elegant complement to cupolas, dormers, ridge edges, turrets, pavilions and gazebos. Designed for both residential and commercial applications, our custom-crafted, solid bronze and aluminum finials enhance any building. Whether it is new construction or historic preservation, a Quality Lightning Protection finial will add just the right touch of elegance.



**Small Finial**

Height - 16 inches  
Diameter at widest point - 2 1/4 inches

Catalog numbers:  
DT16A - Aluminum  
DT16B - Bronze  
DT16T - Tinned Bronze

An inexpensive and versatile architectural accent.

**Medium Finial**

Height - 27 inches  
Diameter at widest point - 4 1/2 inches

Catalog numbers:  
DF1A - Aluminum  
DF1B - Bronze  
DF1T - Tinned Bronze

A simple yet elegant complement for cupolas, dormers and turrets.

**Large Finial** (Not Shown)

Height - 48 inches  
Diameter at widest point - 9 inches

Catalog numbers:  
DF48A - Aluminum  
DF48B - Bronze  
DF48T - Tinned Bronze

Every DF48 is made to order, individually numbered and certified as a factory original.

**Square Finial**

Height - 30 inches  
Diameter at widest point - 4 1/2 inches

Catalog numbers:  
DF2A - Aluminum  
DF2B - Bronze  
DF2T - Tinned Bronze

This geometric streamlined design enhances any contemporary structure.